

METROPOLITAN UTILITIES DISTRICT	Construction Standard	No: 8.2.1
	Installation of a Single Insulating Washer Flange Insulating Set	Page: 1 of 2
Prepared by: D.J. Satterfield		<u>Supersedes:</u> 11-4-13
Approved by: Jeff Schovanec		Effective: 7-9-18

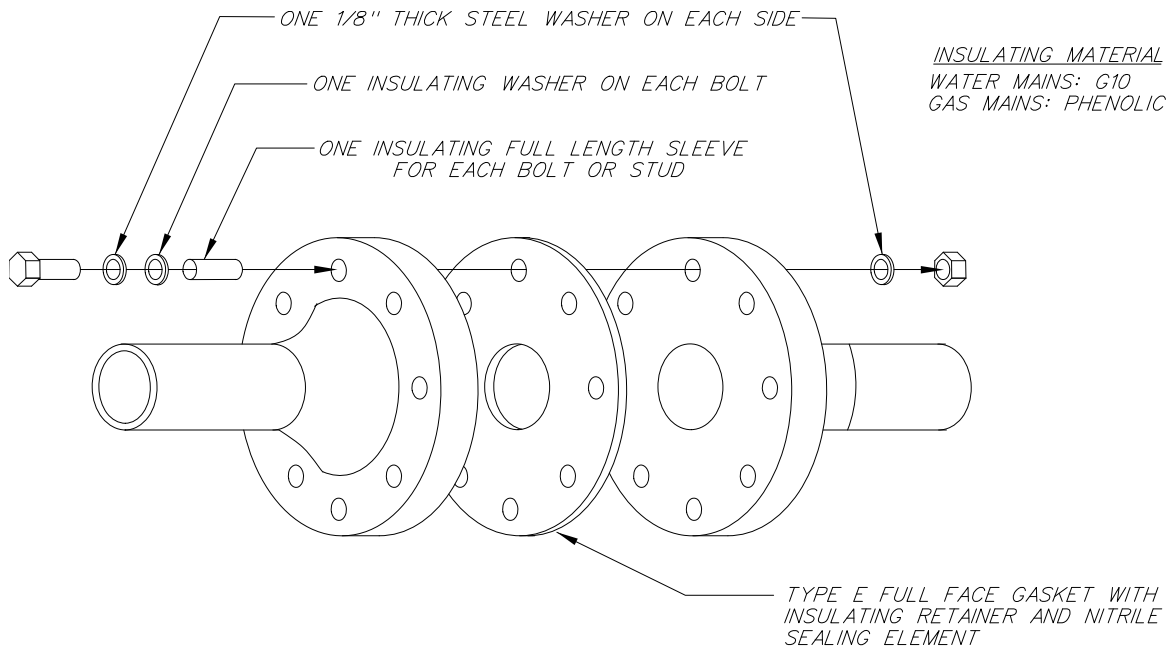


Fig. 1

FLANGE INSULATION WITH SINGLE INSULATING WASHER (Fig. 1)

USE:

Flange insulating sets shall only be installed at locations specified by M.U.D. Engineering.

INSTALLATION:

1. Clean and inspect pipe flange faces and gasket.
2. Install the gasket and align the flanges and gasket so the bolts or studs will be centered.
3. Slip the insulating sleeve over the bolt or stud. Slide the steel and fiber washer over the sleeve up against the head of the bolt.
4. Tighten the bolts or studs alternately around the flange by holding the shank steady and tightening the nut to the necessary torque.
5. The bolt or stud shall be of sufficient length to extend through the nut a minimum of one full thread but not more than $\frac{1}{2}$ inch.
6. Electrical insulation shall be verified as directed by the Corrosion Engineer.

METROPOLITAN UTILITIES DISTRICT Prepared by: D.J. Satterfield Approved by: Jeff Schovanec	Construction Standard	No: 8.2.1
	Installation of a Single Insulating Washer Flange Insulating Set	Page: 2 of 2
		Supersedes: 11-4-13
		Effective: 7-9-18

- ** 7. Attach trace wire to steel pipe per Construction Standard [8.3.2](#). If ductile iron pipe is involved and trace wire is available with existing ductile iron pipe, attach test wire to existing trace wire per Construction Standard [11.2.2](#). Install either a roadway box, CC box or test marker. Bring wire(s) up alongside or inside roadway box, CC box or test marker per Construction Standard [11.2.2](#). See Fig. 2.

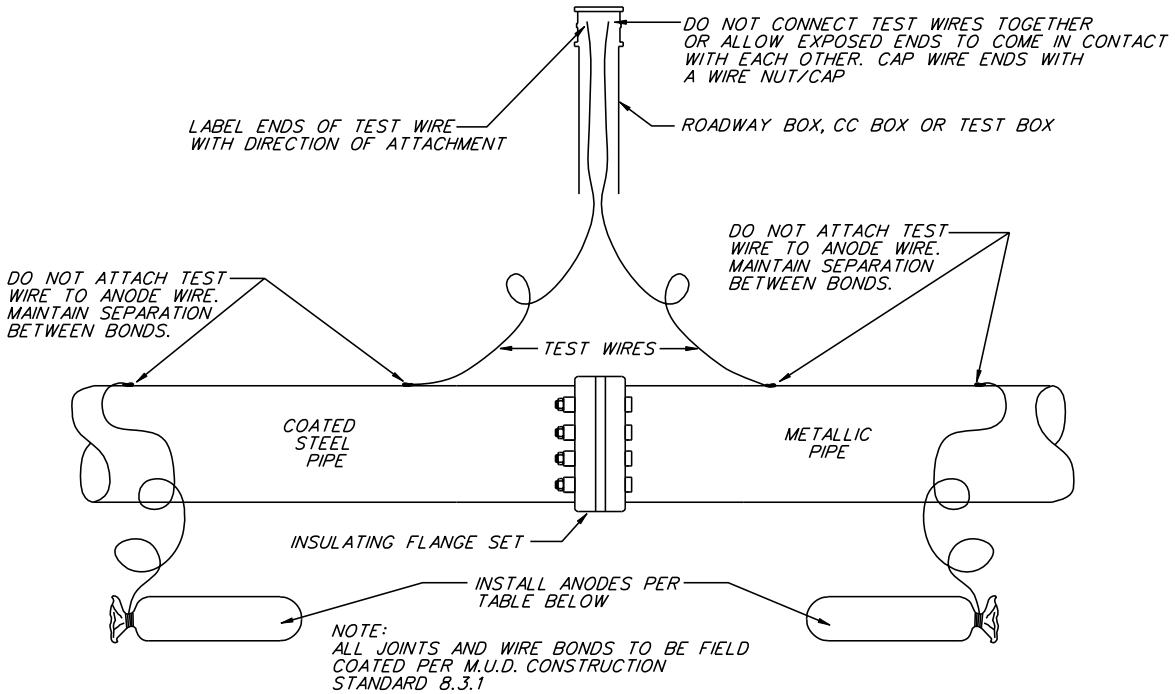


Fig. 2

ANODES REQUIRED		
	Gas	Water
Bare Steel	32#	N/A
Cast Iron	32# w/ Cathodic Clamp if O.D. is > 12"	32# w/ Cathodic Clamp on all sizes
Coated Steel	17# if O.D. is ≤ 12" 32# if O.D. is > 12"	17# if O.D. is ≤ 12" 32# if O.D. is > 12"
Ductile Iron	None	None

** Added Text

*** Added Drawing/Table 📄