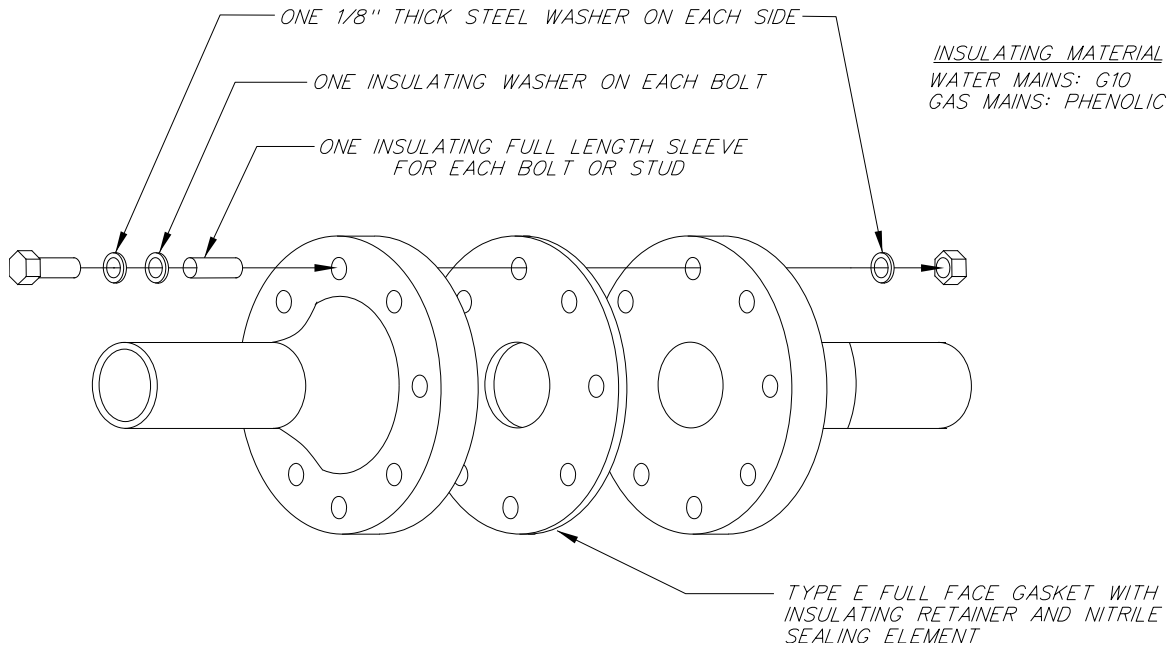


<b>METROPOLITAN UTILITIES DISTRICT</b>	<b>Construction Standard</b>	No: <b>8.2.1</b>
	<b>Installation of a Single Insulating Washer Flange Insulating Set</b>	Page: 1 of 1
Prepared by: D.J. Satterfield		<u>Supersedes:</u> 12-15-00
Approved by: Jeff Schovanec		Effective: 11-4-13

\*\*



## **FLANGE INSULATION WITH SINGLE INSULATING WASHER**

### **USE:**

Flange insulating sets shall only be installed at locations specified by MUD Engineering.

### **INSTALLATION:**

1. Clean and inspect pipe flange faces and gasket.
2. Install the gasket and align the flanges and gasket so the bolts or studs will be centered.
3. Slip the insulating sleeve over the bolt or stud. Slide the steel and fiber washer over the sleeve up against the head of the bolt.
4. Tighten the bolts or studs alternately around the flange by holding the shank steady and tightening the nut to the necessary torque.
5. The bolt or stud shall be of sufficient length to extend through the nut a minimum of one full thread but not more than ½ inch.
6. Electrical insulation shall be verified as directed by the Corrosion Engineer.

\*\* Revised Drawing



***THIS PAGE IS INTENTIONALLY LEFT BLANK***